

Data Sheet

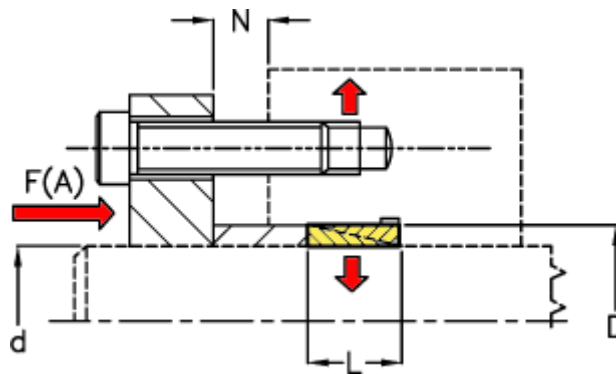


Article number: 433000180

Description: Rota-fix shaft-hub connection C 180x201

Note: Not self centering. Small radial dimensions

Measures



d mm = 180

D mm = 201

F(A) kN = 1200

Fit tolerance = Aksel \varnothing ? 38 h6, Aksel \varnothing > 38 h8, Nav \varnothing ? 38 H7, Nav > \varnothing 38 H8

F kN torque = 235.0

L = 33

N1 = 7

N2 = 8

N3

N4

P N/mm² surface press

Surface roughness

T N m torque